

# InnoVfoam B.V.

## Vertical Bladdertank



## InnoVfoam B.V.

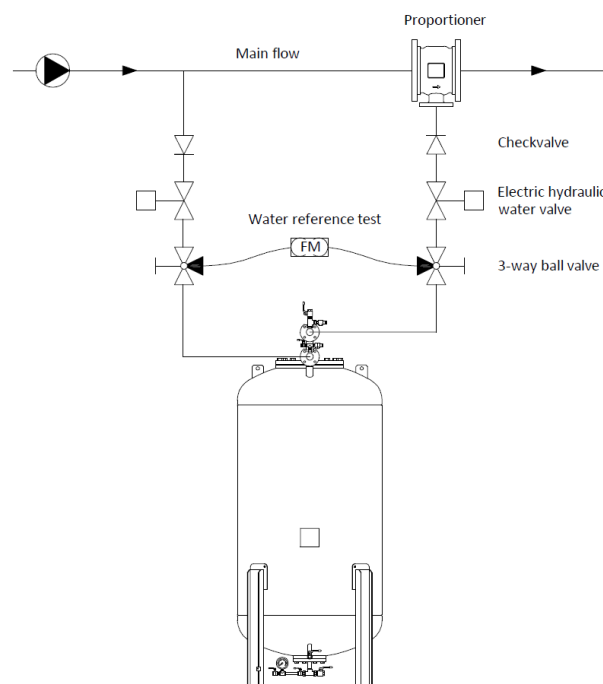
### Vertical Bladdertank

The InnoVfoam bladdertank system is a system for mixing foam concentrate with water. A major advantage of the bladdertank system is that it can be installed in the main flow and subsequently it doesn't need an external energy supply. The integrated water reference test option offers a functionality test without foam consumption.

The system consist of two main components:

- Bladdertank with internal rubber bag (bladder) model IVBT
- Measuring part BTP or MWP proportioner

The bladdertank can be supplied in a great number of standard sizes up to a capacity of 10.000 liter. The proportioner, model BTP can be supplied from DN40 up to DN350 and the wide range proportioner, model MWP, is available in DN150.



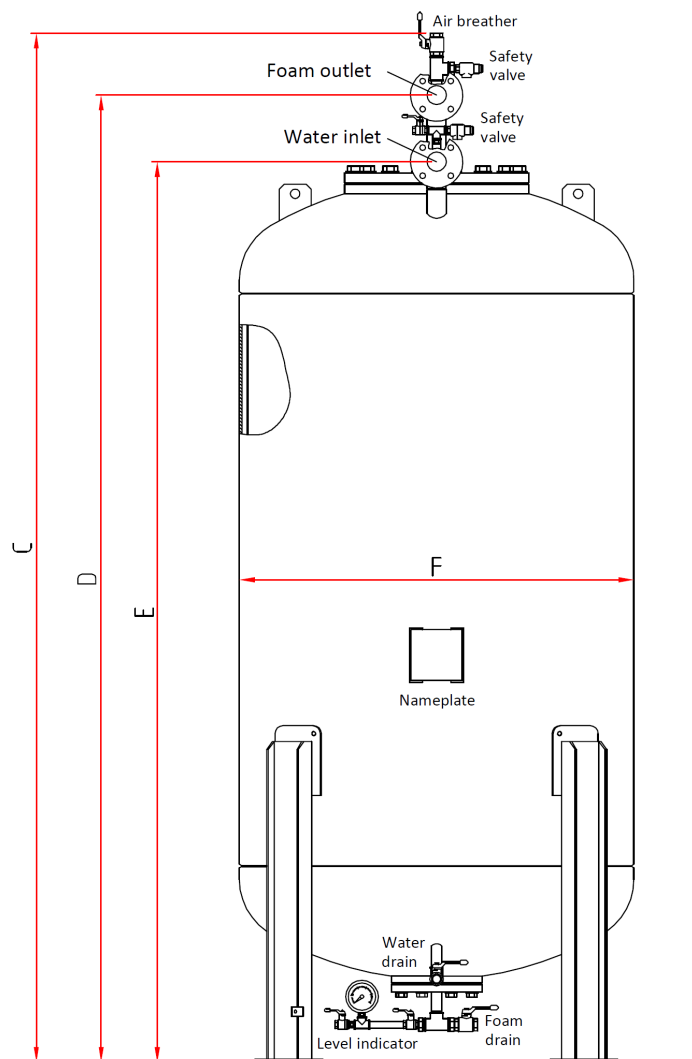
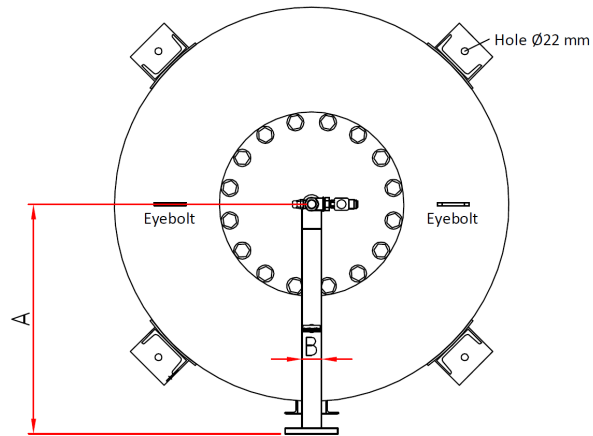
#### CHARACTERISTICS VERTICAL BLADDERTANK

Design pressure:	12 or 16 bar	Material manometers:	AISI
Max. working pressure:	12 or 16 bar	Material safety valves:	Brass
Test pressure:	17,2 or 24 bar	Material foamside:	AISI
Temperature range:	+0°C +50°C	Material bladder:	Hypalon-neopreen
Material tank:	Steel ASTM A 517	External coating:	RAL 3000
Material flanges:	ASTM A 105		50 micron epoxy primer
Material valves:	Brass, nickel plated		50 micron polyuretanan toplayer
PED category:	PED 97/23/CE		

# InnoVfoam B.V.

## Vertical Bladdertank

### DRAWINGS



# InnoVfoam B.V.

## Vertical Bladdertank

### DIMENSIONS

Model	Dimensions [mm]						Working weight [kg]
	A	ØB	C	D	E	ØF	
IVBT-200	504	DN40 PN16	1.945				500
IVBT-300		DN40 PN16					
IVBT-400	450	DN40 PN16	1.950	1.750	1.585	700	700
IVBT-600	500	DN50 PN16	2.205	2.010	1.810	800	1.015
IVBT-1.000	600	DN50 PN16	2.285	2.090	1.890	1.000	1.480
IVBT-1.500	600	DN50 PN16	2.875	2.680	2.480	1.000	2.270
IVBT-2.000	650	DN50 PN16	3.150	2.955	2.755	1.100	3.170
IVBT-2.500	685	DN50 PN16	3.380	3.185	2.985	1.170	3.900
IVBT-3.000		DN50 PN16	3.420			1.270	4.570
IVBT-3.500	780	DN50 PN16	3.470	3.275	3.075	1.360	5.440
IVBT-4.000	825	DN50 PN16	3.510	3.315	3.115	1.450	6.095
IVBT-4.500	825	DN50 PN16	3.775	3.580	3.380	1.450	6.795
IVBT-5.000		DN50 PN16	3.570			1.600	7.495
IVBT-6.000		DN50 PN16	3.645			1.750	8.840
IVBT-7.000	975	DN65 PN16	4.035	3.820	3.620	1.750	10.195
IVBT-8.000	1.080	DN65 PN16	3.790	3.575	3.375	1.960	11.555
IVBT-9.000		DN65 PN16	3.860			2.100	13.165
IVBT-10.000		DN65 PN16	3.905		2.200	2.200	14.470